



## Wall Mounted DVR Cabinet

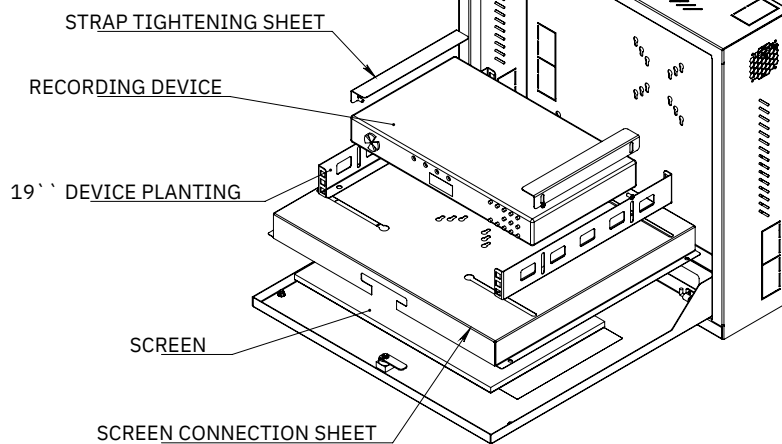
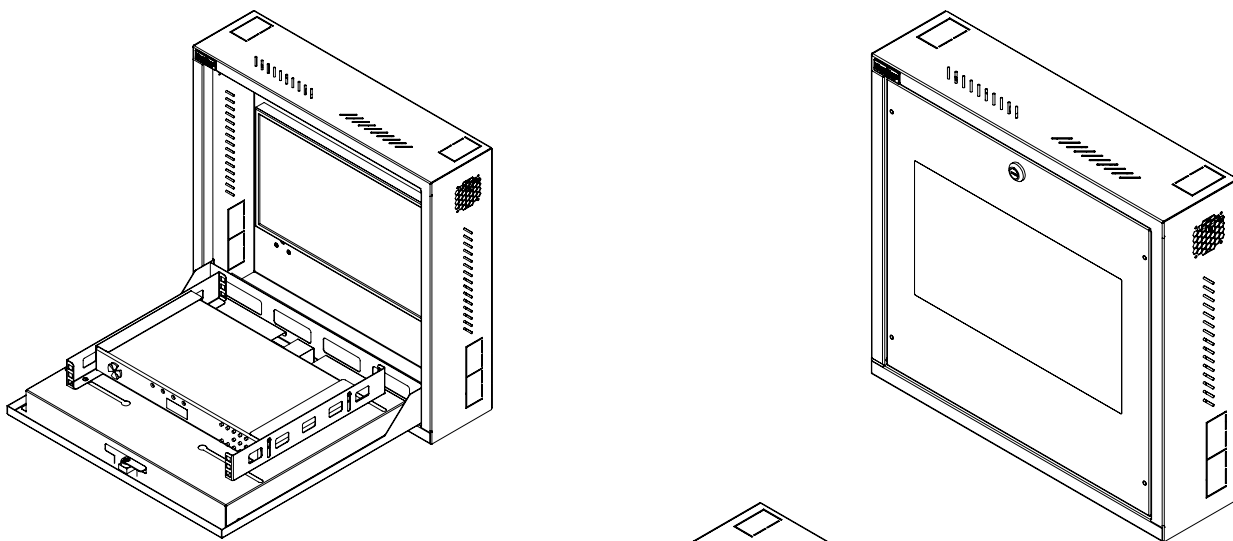
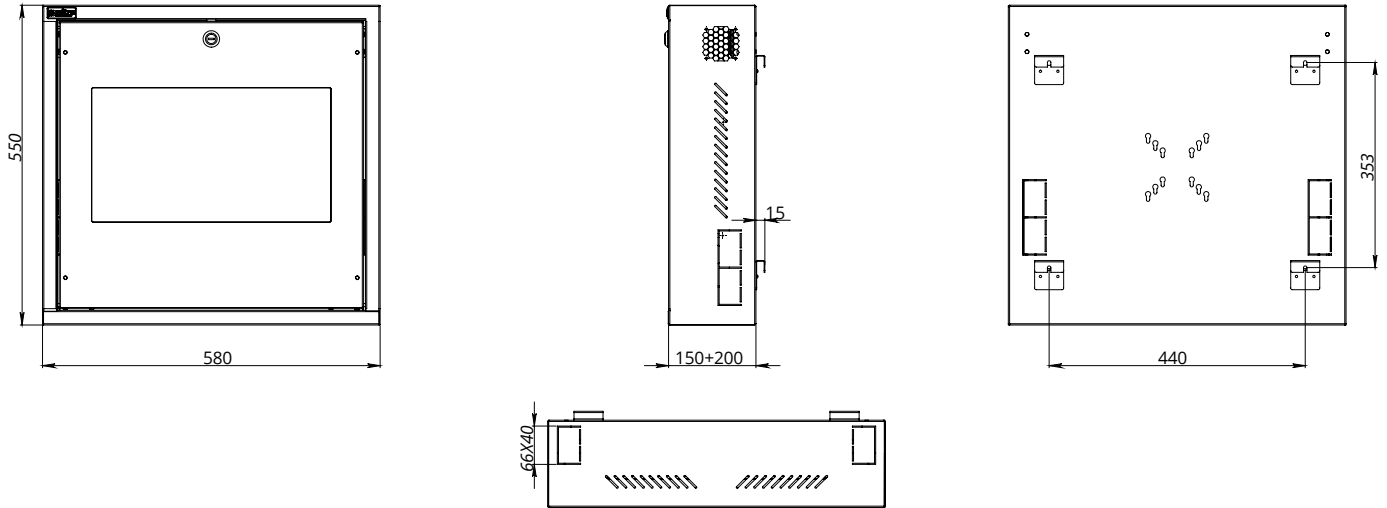
### GENERAL FEATURES

Welded monoblock body – 1.5mm Vertical opening door with one point locking, 27° and 90° steps. There are also 2 lock options with different passwords. Ventilation holes for passive cooling inside the box In-lid mounting capability for 19" DVR device Adjustable fixing plates for device mounting Rubber fixing gaskets that prevent damage to the device by applying pressure on the device during the opening and closing of the cover. Movable mounting plate for 12" display mounting on rear wall variation by model 5 different cable entry points on the body: top, bottom, left, right and rear wall. 1U mounting bracket for mounting 10" Socket module in the upper part of the body. Robust and fine-textured Electrostatic Powder Paint application 90 micron. Maximum loading capacity : 50 kg



**Wall Mounted DVR Cabinet** Wall Mounted 19" DVR Cabinets provide space saving and aesthetic appearance thanks to their vertical mounting. It provides perfect compatibility and ease of use for Network, Security, DVR, Audio and Cabling Systems applications. Suitable for mounting all DVR devices.





Product code	Product Description W=580 D=550 mm	Dimensions (W*H*D)	Product Kg
MT.DV1U5855150.C0	Security cabinet for 1U DVR Video System	580x550x150 mm	18 kg
MT.DV2U5855150.C0	Security cabinet for 2U DVR Video System Security cabinet & Monitor	580x550x200 mm	20 kg
MT.DV1U5855150M.C0	mount front cover for 1U DVR Video System Security cabinet & Monitor	580x550x150 mm	19 kg
MT.DV2U5855150M.C0	mount front cover for 2U DVR Video System	580x550x200 mm	21 kg

C0 = Color Code, C02 refers to Light Gray RAL 7035 and C01 to Black RAL 9005, please add it when ordering.